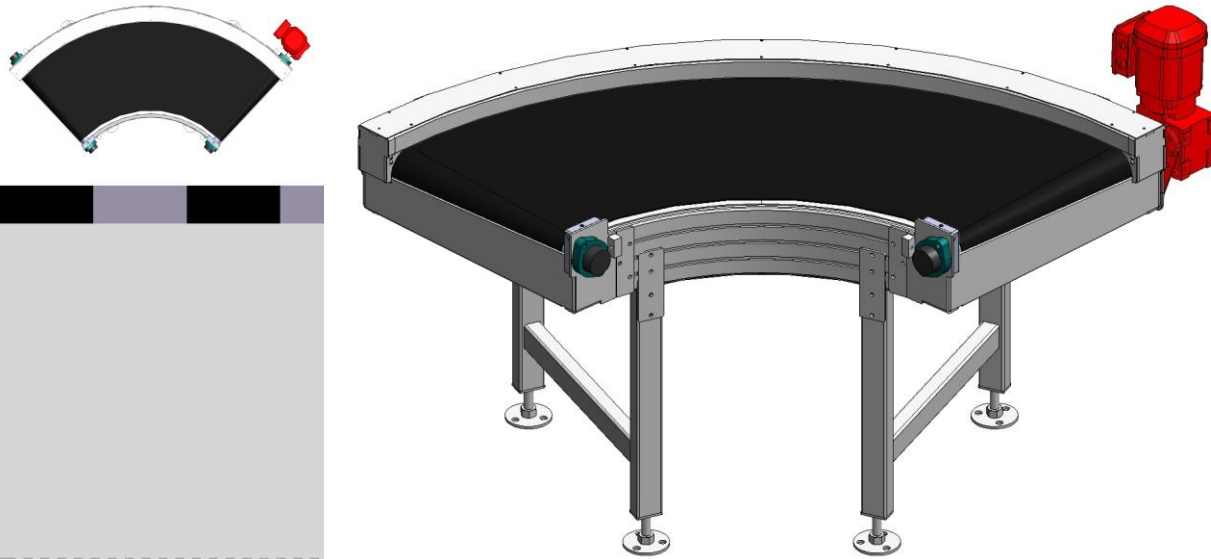


Belt bend AL 100



MAX DÖRR
FÖRDERANLAGEN

Max Dörr Förderanlagen GmbH
Robert-Bosch-Straße 2
D-75050 Gemmingen
Tel.: +49 (0) 72 67/91 22-0
Fax: +49 (0) 72 67/91 22-22
E-Mail: info@max-doerr.de
Internet: www.max-doerr.de

- *Trouble free integration into existing conveyor systems*
- *Low noise level*
- *Low maintenance*
- *quick belt replacement*
- *High conveyor speeds*

Standard dimensions:

Inside radius (mm)	Useable width (mm)	Transport angle (°)
600	500, 600	30 - 180
800	500, 600, 800	30 - 180
900	500, 600, 800	30 - 180
1000	600, 800, 1000	30 - 180
1200	800, 1000, 1200	30 - 180
1500	1000, 1200	30 - 180

Technical Data:

Transport speed:	up to 2 m/s
Drive:	belt friction drive throughout the complete belt width, shaft mounted three-phase geared motor mounted on the side, at the outside radius or under the frame
Belt deflection:	conical shaped tale pulleys on each end, Diameter 100 mm (at the outside radius)
Conveyor belt:	high-strength endless plastic belt with 2 fabric inserts, anti-static
Total weight:	up to 150 kg
Belt guide:	V-belt guide profile on the inner surface of the belt (running side)
Belt slideplate:	Betoplan plate (a special coated, high-strength, layered wooden plate)
Special equipment:	possible on request (side guidance, transfer rolls, etc.)

